

ALTRONIC RESEARCH, INC.

P.O. BOX 249

YELLVILLE, ARKANSAS 72687-0249

U.S.A.

MODEL 6710T / 6715T

COAXIAL LOAD RESISTOR



INDOOR MODEL



OUTDOOR MODEL

MODEL 6710T/6715T
10/15 KW AIR COOLED COAXIAL RESISTOR

LIMITED WARRANTY

We take pride in manufacturing products of the highest quality and we warrant them to the original purchaser to be free from defects in material and workmanship for the period of one year from date of invoice. Additionally, products of our manufacture repaired by us are warranted against defects in material and workmanship for a period of 90 days from date of invoice, with the provisions described herein.

Should a product, or a portion of a product of our manufacture prove faulty, in material or workmanship, during the life of this warranty, we hereby obligate ourselves, at our own discretion, to repair or replace such portions of the product as required to remedy such defect. If, in our judgment, such repair or replacement fails to be a satisfactory solution, our limit of obligation shall be no more than full refund of the purchase price.

This warranty is limited to products of our own manufacture. Equipment and components originating from other manufacturers are warranted only to the limits of that manufacturer's warranty to us. Furthermore, we shall not be liable for any injury, loss or damage, direct or consequential, arising out of the use, or misuse (by operation above rated capacities, repairs not made by us, or any misapplication) of the equipment. Before using, the user shall determine the suitability of the product for the intended use; and the user assumes all risk and liability whatsoever in connection therewith.

The foregoing is the only warranty of Altronic Research Incorporated and is in lieu of all other warranties expressed or implied.

Warranty returns shall first be authorized by the Customer Service Department and shall be shipped prepaid. **Warranty does not cover freight charges.**

TABLE OF CONTENTS

MODEL 6710T/6715T

<u>SECTION</u>	<u>PAGE</u>
Warranty	3
Warnings and Precautions	6,7
Introduction	8
I. Description and Leading Particulars	
1-1 Purpose and Application of Equipment	8
1-2 Equipment Supplied	8
1-3 Equipment Required But Not Supplied	8
1-4 General Description	8
1-5 Electrical Description.....	9
1-6 Mechanical Description.....	9
1-7 General Principle of Operation.....	9
1-8 Operating and Adjustment Controls.....	10
1-9 Operator Training	10
II. Test Equipment and Special Tools	
2-1 Test Equipment Required.....	11
2-2 Special Tools Required.....	11
III. Preparation for Use and Reshipment	
3-1 Unpacking Equipment	12
3-2 Pre-Installation Inspection	12
3-3 Pre-installation Test	12
3-4 Installation	12
3-5 Location	12
3-6 Mounting	13
3-7 Connections	13
3-8 Ducting	14
3-9 Adjustments	14
3-10 Preparation for Reshipment.....	14
IV. Theory of Operation	
4-1 General	15
4-2 Control Circuits.....	15

SECTION

PAGE

V. Maintenance

- 5-1 Cleaning.....16
- 5-2 Lubrication16
- 5-3 RF Circuit.....17

VI. Diagrams

- 6-1 Outline and Dimensions 18-19
- 6-2 Schematic Diagram.....20
- 6-3 Parts List.....21

VII. List of Illustrations

- Model 6710T/6715T RF Coaxial Air Cooled Load.....2
- Access Panels Displaced.....23
- Resistor Assembly23

VIII. Specifications22

OPERATING TEMPERATURE WARNING

**CARE SHOULD BE TAKEN TO OPERATE UNIT BELOW
STATED MAXIMUM AMBIENT OPERATING TEMPERATURE.**

**OPERATION ABOVE RATED AMBIENT
TEMPERATURE CAN CAUSE MOTOR
THERMAL PROTECTION TO SHUT OFF FAN,
WHICH WILL CAUSE DAMAGE TO UNIT.**

**PROVISIONS ARE MADE TO TRIP THE INTERLOCK
IN THE EVENT OF OVERHEAT, BUT THE INTERLOCK
MUST BE PROPERLY CONNECTED TO THE RF SOURCE
FOR THIS FUNCTION TO OPERATE.**

**NEVER OPERATE WITH INTERLOCK
BYPASSED OR MALFUNCTIONING.
TO DO SO WILL VOID THE WARRANTY.**

PRECAUTIONS

⚠️WARNING⚠️

This equipment can start automatically. Do not attempt any service or parts replacement without first disconnecting all AC power and RF power. Failure to do so can result in serious or *fatal electrical shock or physical injury*.

CAUTION

Do not block air grills or restrict airflow when ducting inlet and discharge air. Restrictions in airflow limit the load's ability to dissipate RF power and could damage and/or cause the unit to fail.

CAUTION

Do not connect the unit to an RF power source without first ensuring that the load is connected to the proper line voltage and that the interlock circuit is properly attached to the transmitter. The interlock circuit is designed to indicate a fault and prevent operation when line voltage is not present. Do not apply more than rated power to unit. Damage will occur before thermal protectors can activate interlock circuit if large overloads are applied.

☠️CAUTION☠️

When using any cleaning solvents or solutions, assure that there is adequate ventilation to protect personnel from breathing any irritable or toxic fumes.

INTRODUCTION

This handbook was prepared for technical personnel as an aid in understanding and performing installation, service and maintenance procedures for the OMEGALINE® Model 6710T/6715T Air-Cooled Indoor or Outdoor Coaxial Load. Personnel are considered to be skilled if they have the necessary knowledge and practical experience of electrical and radio engineering to appreciate the various hazards that can arise from working on radio transmitters, and to take appropriate precautions to ensure the safety of personnel.

SECTION I

DESCRIPTION AND LEADING PARTICULARS

1-1. Purpose and Application of Equipment. The OMEGALINE® Model 6710T/6715T Coaxial Load is designed to safely dissipate a maximum of 10,000/15,000 watts of electrical energy over a frequency range of DC to 220 MHz.

1-2. Equipment Supplied. The Model 6710T/6715T Coaxial Load is supplied with standard RF connectors. Their designations are:

3-1/8" EIA Swivel flange: Model # 6710T/6715TE3

3-1/8" Unflanged flush: Model # 6710T/6715TF3

3-1/8" Unflanged recessed: Model # 6710T/6715TR3

The standard power supply voltages and their designators after the Model # are:

-110: 110-120VAC, single phase, 50/60 Hz

-230: 208-230VAC, single phase, 50/60 Hz

1-3. Equipment Required But Not Supplied. The Model 6710T/6715T Coaxial Load is complete as supplied, but the user must furnish AC Mains input, RF input, interlock control cable and ground cable appropriate to each installation.

1-4. General Description. The Model 6710T/6715T Coaxial Load is enclosed in a single aluminum case which is painted with a durable acrylic finish. Power connection for interior loads is made through an IEC male connector on the rear panel of the enclosure. This panel also contains a 4-screw barrier terminal strip for connection of the interlock circuit and a 1/4-20 UNC-2B stud for attachment of the ground. The RF connector is located in the center of the top panel.

For exterior installations a roof and two louvered panels are provided. Power connection for exterior loads is made through a user-supplied safety switch that is mounted on the enclosure near the controls. The control panel also contains a 4-screw barrier terminal strip and 2-screw terminal barrier strip for connection of the interlock and remote start circuits. The RF connector is located in the center of the end panel.

- 1-5. Electrical Description.** The Model 6710T/6715T contains a 50 ohm non-reactive resistor assembly capable of dissipating 10,000/15,000 watts of applied electrical energy at sea level at frequencies between DC and 220 MHz with a maximum VSWR of 1.15 to 1. No provisions are made for tuning the resistor assembly and all operating controls relate to the operation of the blower assembly. The blower control circuit consists of three switches wired in parallel to control the blower motor contactor. Power is supplied to this contactor and to the "Blower On" lamp whenever the equipment is attached to the correct power supply and the main power switch is "ON" or when one of the fan thermostats senses a temperature equal to or greater than 120° ($\pm 7^\circ$) F.

The transmitter interlock circuit consists of two thermal switches wired in series. A closed terminal pair is provided when neither of the overtemperature thermal switches senses a temperature equal to or greater than 250° ($\pm 7^\circ$) F. A lamp is provided to indicate when one or more of the over-temperature switches open. It is labeled "OVERHEAT", indicating a change in state of the interlock.

- 1-6. Mechanical Description.** The Model 6710T/6715T RF Coaxial Load is a 50-ohm non-reactive resistor assembly which is cooled by forced ambient air. The blower assembly is a direct-drive centrifugal blower. The blower moves air from the inlet into a closed plenum surrounding the resistor assembly. Air then enters the resistor assembly and flows through it to the transition duct and then out of the enclosure via the discharge. This places the RF input connector at the coolest point in the air stream and affords exceptionally quiet operation.

- 1-7. General Principle of Operation.** After ascertaining that the Model 6710T/6715T is connected to the correct power supply, connect the transmitter interlock circuit and RF source. Turn the main power switch ON to start the fan and enable transmitter. Operate transmitter as desired. To stop operation, it is necessary to first turn off the transmitter, then the main power switch on the Model 6710T/6715T. The fan may continue to run for some time. This depends upon the power level at which the load was operating and upon the ambient air temperature. This feature is necessary to prevent damage to the load. The Model 6710T/6715T can be operated in a "Standby" or "Reject" mode with the blower off. Current draw in this mode is 60 milliamperes. To

operate in this mode, connect the unit as before and leave the main power switch "Off". It is highly recommended that the normally open pair on the interlock terminal board be used to control a user-supplied alarm circuit. This pair will close on power failure or overheat and the alarm, if independent of the AC power supply for the unit, will notify the operator of a fault.

1-8. Operating and Adjustment Controls. The only operating control is the main power switch. No field adjustments are necessary or possible.

1-9. Operator Training. The operator of this equipment must have the following skills/knowledge:

- An understanding of the purpose of the equipment;
- An understanding of the principles of operation of the equipment;
- An understanding of the normal operating procedures for the equipment;
- An understanding of the normal and abnormal indications which may be presented at the control point;
- The proper procedures for starting, using and stopping the equipment under normal conditions;
- The proper procedure for stopping the equipment under abnormal or emergency conditions;
- The proper procedure to lock out and mark controls prior to allowing or commencing maintenance on the equipment;
- The proper procedure to obtain clearance to remove lockouts and out-of-service marks and return the equipment to normal service.

SECTION II

TEST EQUIPMENT AND SPECIAL TOOLS

2-1. Test Equipment Required. No test equipment is required for routine maintenance. In some circumstances it may be desirable to determine the temperature differential (outlet air minus inlet air) and ambient air temperature which the equipment is experiencing. We recommend the John B. Fluke Mfg. Co. Model 52 or equivalent instrument for this function.

2-2. Special Tools Required. Although no non-standard tools are required for routine maintenance, we recommend the technician have the following specialized tools available:

1 Torx T-15 driver

1 Tee handle hex key, 7/32" bit

1 Power screwdriver with 7/32" hex key & torx T-15 bit

SECTION III

PREPARATION FOR USE AND RESHIPMENT

3-1. Unpacking Equipment. The units should be handled and unpacked with care. Inspect outer cartons for evidence of damage during shipment. *Claims for damage in shipment must be filed promptly with the transportation company involved.* No internal packaging or bracing is used for shipments and the units should not rattle when being unpacked.

3-2. Pre-installation Inspection. Conduct a thorough inspection of the units, paying particular attention to the following items:

- Screws in place and tight.
- All panels and grills free of dents and scratches.
- AC input receptacle visually OK.
- Interlock terminal strip visually OK.
- RF connector visually OK.

While inspecting RF connector, measure DC resistance of the unit by reading from the center conductor to the outer conductor. Compare this reading to that on the specification sheet at the end of this manual. Reading should be ± 1 ohm. If not, consult factory.

3-3. Pre-installation Tests. Prior to installation, connect the load to AC Mains power for the following tests:

- a. Read data plate on lower rear panel of resistor enclosure and connect to a suitable source of AC power.
- b. Turn main switch on and check for quiet blower operation.

3-4. Installation. The Model 6710T/6715T must be installed in a location convenient for servicing. Consideration should be given to adequate accessibility for maintenance and unit replacement. No attempt is made in this handbook to present complete installation instructions, since physical differences in plant will determine the installation procedure. General guidelines are outlined in subsequent paragraphs.

3-5. Location.

- a. Interior Installations - The location selected for the Model 6710T/6715T should be dry, free of excessive dust and have an ambient temperature below 110°F (40°C). The room should be well ventilated to prevent excessive temperature rise and consequent derating of the unit. The maximum dissipation of the unit

is 10,000/15,000 watts. This is equal to 34,152/51,228 Btu/hr., which may be ducted out of the building envelope.

The unit should be oriented to provide a short, direct duct run in order to avoid high static pressure and loss of cooling efficiency. The assistance of a competent heating and air conditioning installer will help avoid over-or-under-specifying the duct system.

- b. Exterior Installations – When ordered for exterior installation, special motors, wiring and weatherproofing measures are incorporated at the factory. In addition, a roof assembly is provided. The load is designed to operate in ambient conditions without further modification.

3-6. Mounting. The Model 6710/15 is designed to be a freestanding device. It rests on four adjustable-length leveling feet.

CAUTION!

THE UNIT SHOULD BE ATTACHED TO THE PROPER AC POWER SUPPLY WITH INTERLOCK CONNECTED WHENEVER THE RF CONNECTOR IS ATTACHED TO THE SOURCE. INADVERTENT APPLICATION OF RF POWER TO THE UNIT WITHOUT AC POWER MAY DAMAGE OR DESTROY THE RESISTOR ASSEMBLY.

3-7. Connections. There are four connectors on the Model 6710T/6715T: the RF connector (3 1/8 inch EIA swivel flange or unflanged), the AC power supply, the transmitter interlock, and the remote start terminal strip.

- a. The RF connector is on the top panel of the indoor unit and the end panel of the outdoor unit. Connect to the appropriate RF line from the transmitter.
- b. The AC power supply connector is a 3-pin IEC male power connector located on the rear panel of the enclosure on the indoor unit and through a user-supplied safety switch on the outdoor unit.
- c. The transmitter interlock is attached to the normally closed terminals of the 4-position terminal strip. The terminals are closed whenever AC power is supplied to the unit and no overheat condition exists. The normally open terminals are isolated from the normally closed terminals and are provided for an alarm circuit for reject (standby) mode operation or remote installations.

d. The remote start terminals are provided on the 2-pin terminal strip. Crossing these terminals when power is applied to the unit will initiate blower operation.

3-8. Ducting. In many installations it will be necessary to duct the discharge air from the Model 6710T/6715T to the exterior of the building. In some installations it will also be necessary to supply inlet air from outside of the climate-controlled portion of the building.

The discharge air flow is approximately 325 SCFM at a maximum temperature of 250°F. Due to the high temperatures involved, non-metallic duct materials should not be used. Attaching a discharge duct to the unit is easily accomplished:

1. Remove the 10 torx head screws attaching the discharge grill.
2. Then, replace the discharge grill with a discharge air duct adapter.

Suitable ducting can then be attached to the adapter. This duct should be as short as possible to minimize backpressure. Design of the ducting and wall or ceiling penetrations should be referred to a competent heating and air conditioning firm.

"Make-up air" is a ventilation term used to indicate the supply of outdoor replacement air to a building in a controlled manner. It may be provided for the Model 6710T/6715T by ducting into the room or by extending a supply duct to either intake grill of the blower enclosure and installing a blanking plate on the other grill.

Make-up air will enter the building to equal the volume actually exhausted, whether or not provision is made for this replacement. However, the actual exhausted volume may not equal the design volume unless an adequate supply is provided.

3-9. Adjustments. No field adjustments are necessary or possible.

3-10. Preparation for Reshipment. No special measures are required to prepare the Model 6710T/6715T for reshipment. Care must be taken to protect the RF connector and to immobilize the swivel flange. Packaging should provide protection against abrasion and impact. Special containers are available from the factory. Please inquire.

SECTION IV

THEORY OF OPERATION

4-1. General. The Model 6710T/6715T contains a 50 ohm non-reactive resistor assembly (8 @ 400 ohms or 10 @ 500 ohms) which is cooled by forced air supplied by a centrifugal blower assembly. Control of the blower and of the transmitter interlock circuit is accomplished with a single rocker switch and five thermal switches. This model is equipped with a thermally protected interlock.

4-2. Control Circuits. There are 2 control circuits in the Model 6710T/6715T. One circuit controls the blower, and the other controls the transmitter interlock circuit.

The blower control circuit derives its power from the 26VAC control transformer. Two thermal switches and one rocker switch are connected to AC Control Line 1. Both thermal switches are SPNO and connect to blower contactor "RY1" terminal 0, as does the SPST rocker switch. Blower contactor "RY1" terminal 1 connects to AC Control Line 2. The blower indicator lamp is connected in parallel with the contactor coil.

The interlock terminal strip is located on the lower back side of the load and consists of one normally open pair of terminals and one normally closed pair of terminals. The normally open pair goes through a thermal switch located in the top of the tower. This thermal switch closes at $160^{\circ}\text{F}\pm 7^{\circ}$. The normally closed pair of terminals is a series circuit that travels through two thermal switches, one opens at $160^{\circ}\text{F}\pm 7^{\circ}$, and the other opens at $250^{\circ}\text{F}\pm 7^{\circ}$.

There is an additional set of paralleled thermal switches in 6710T/6715T loads. If either switch senses temperatures above their rated value they change states and turn on the overheat light on the front panel of the load.

SECTION V

MAINTENANCE

WARNING!!

PERSONNEL WORKING ON THIS LOAD MUST BE CONSIDERED SKILLED AS DEFINED BY EN60215 SECTION 3.1 AND APPENDIX D

BEFORE PERFORMING ANY MAINTENANCE:

- 1. DISCONNECT POWER AND ALLOW MOTOR TO COME TO A FULL STOP.**
- 2. DISCONNECT RF CONNECTOR ASSEMBLY AND LOCK OUT TRANSMITTER OPERATING CONTROLS.**
- 3. DISCONNECT TRANSMITTER INTERLOCK LINE.**

FAILURE TO FOLLOW THESE DIRECTIONS MAY CAUSE FATAL ELECTRICAL SHOCK!

5-1. Cleaning. The enclosure of the Model 6710T/6715T is finished with an acrylic finish or other durable coating system. It should be cleaned with a neutral plastic and glass cleaner such as Windex or Glass Plus. The RF connector should be cleaned with a non-residue contact cleaner such as Miller-Stephenson MS-171/CO₂. Remove dirt accumulations from the fan and motor by vacuuming. Do not use solvents or an air jet, as these can damage the motor. Remove dirt and dust accumulations from the grills and resistor assembly with an air jet and a soft brush.

5-2. Lubrication. Lubricate motor with 10-30 drops of SAE 30 motor oil applied to each bearing oil tube annually.

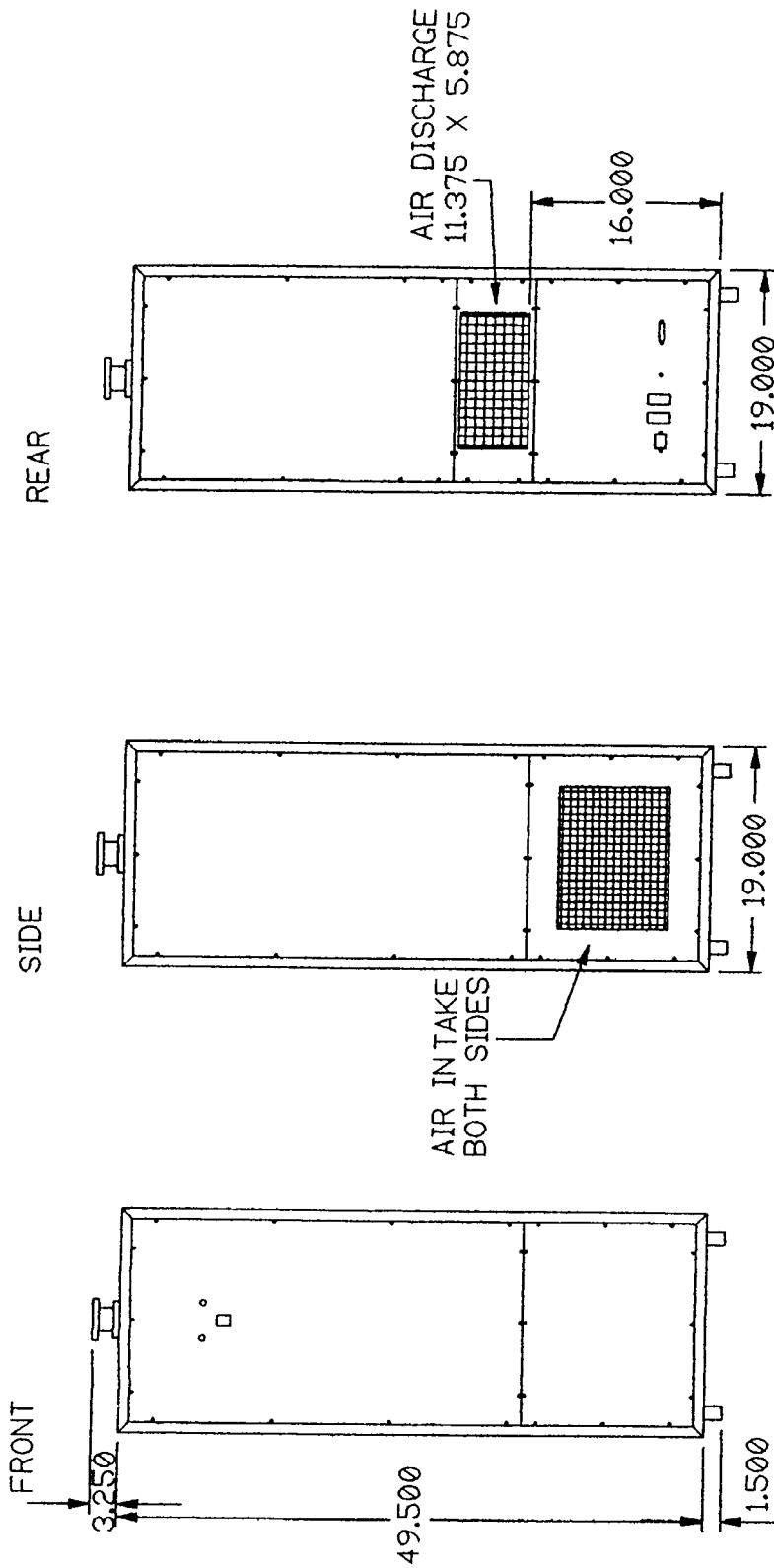
5-3. RF Circuit. The RF circuit does not require any periodic maintenance and the only repairs possible are the replacement of parts in the connector, quick-step or support portions of the resistor assembly or the replacement of resistors.

CAUTION!

The resistors are hard, brittle ceramic material. It is very important to avoid impact and excessive force when installing or removing them.

SECTION VI

6-1 OUTLINE AND DIMENSIONS



Tolerances (except as noted)		Revisions	
Decimal	± NOM.	1	
Fractional	± NOM.	2	
Angular	± NOM.	3	
		4	
		5	
		6	

Altronic Research, Inc.
Yellville, Arkansas 72687, U.S.A.

OUTLINE DRAWING

Part No.: MODEL 6710

Drawn By: S. BURNS Date: 26 MAY 94

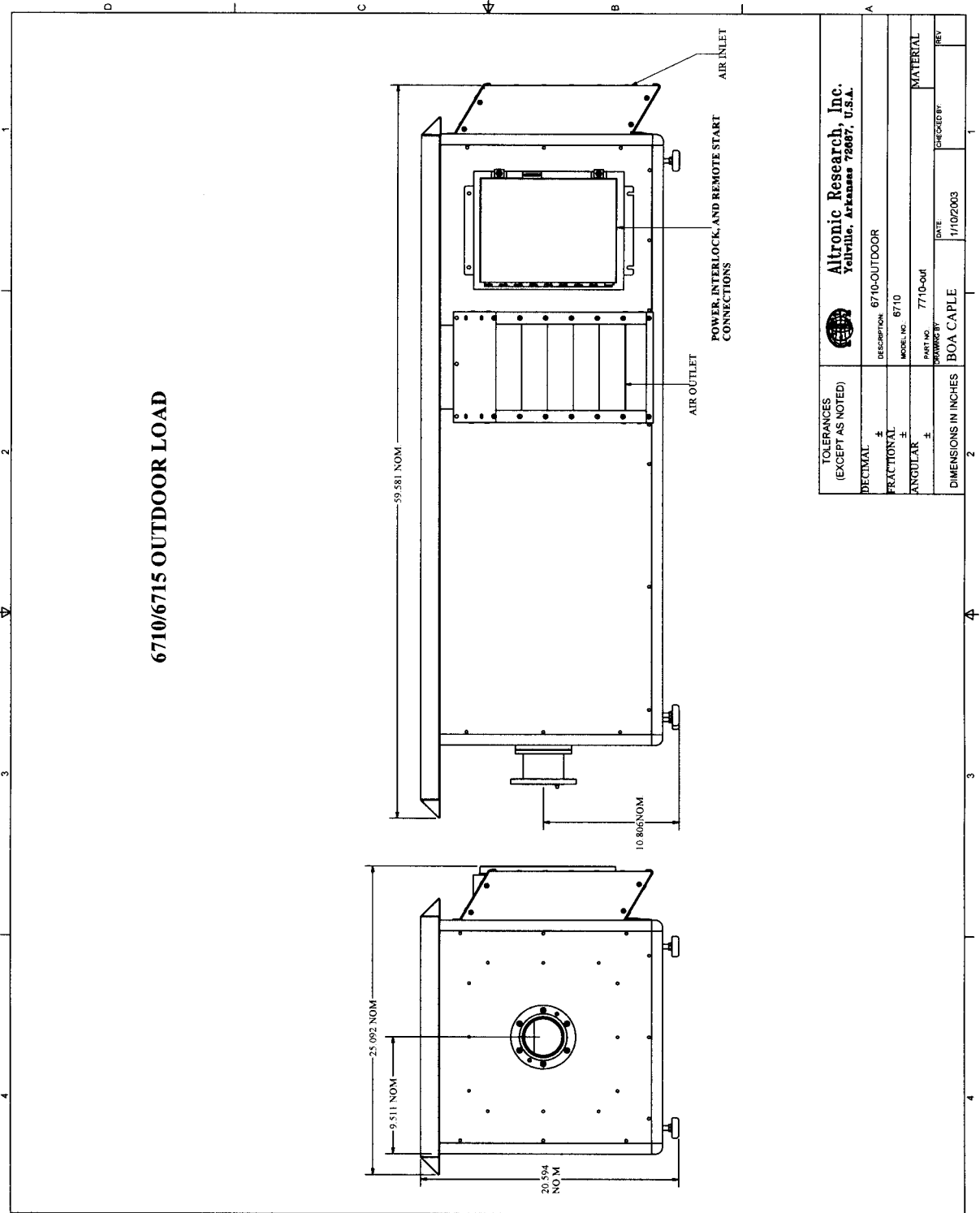
Checked By: Date:


Prototyped: Scale: NONE

MODEL 6710/6715

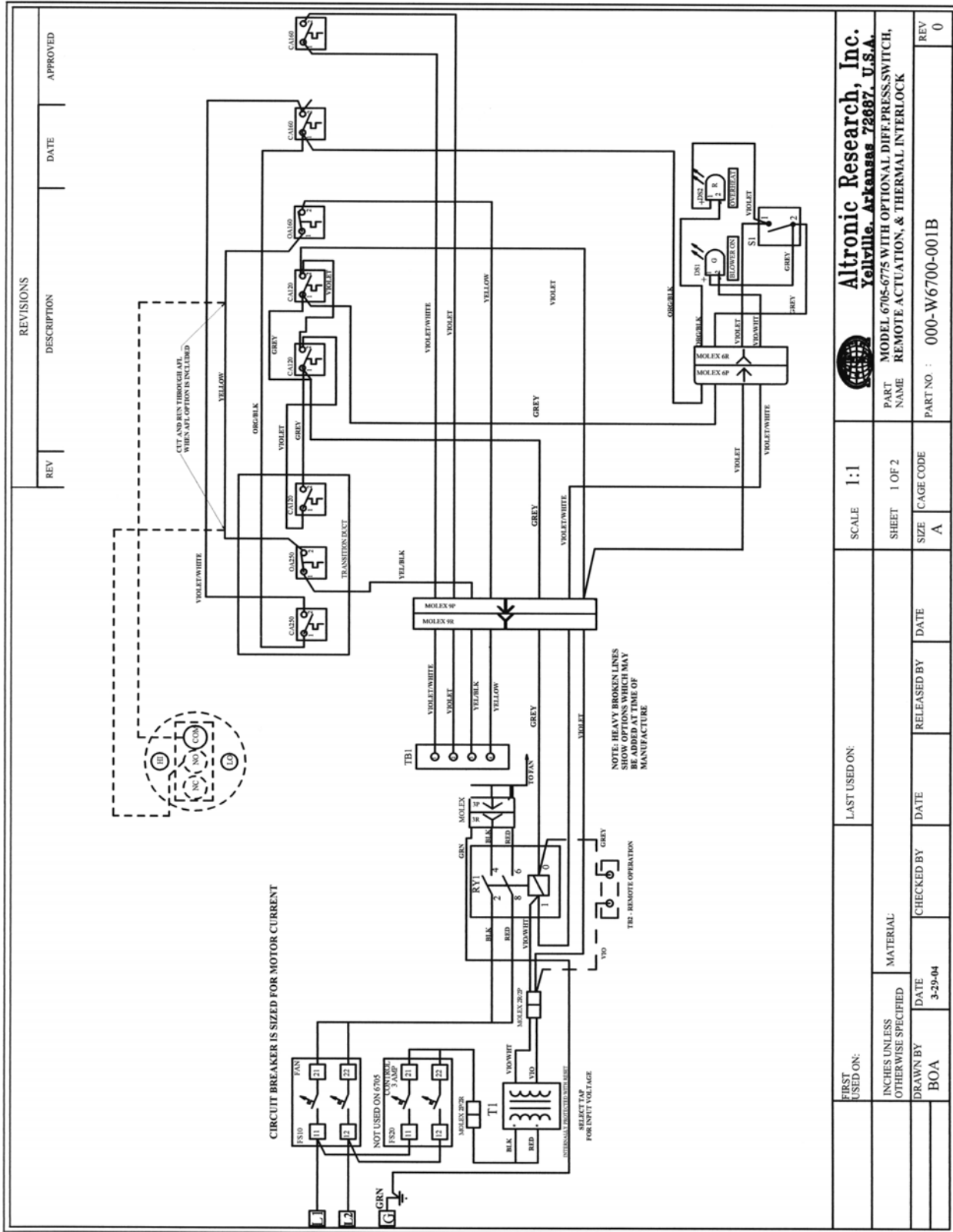
Dwg. No. B0526402

6710/6715 OUTDOOR LOAD



 Altronic Research, Inc. Yellville, Arkansas 72687, U.S.A.	TOLERANCES (EXCEPT AS NOTED)	DESCRIPTION: 6710-OUTDOOR
	DECIMAL ±	MODEL NO.: 6710
	FRACTIONAL ±	PART NO.: 7710-04
	ANGULAR ±	DRAWING NUMBER: 6710-04
DIMENSIONS IN INCHES	BOA CABLE	DATE: 1/10/2003
2	4	2
CHECKED BY:	DATE:	REV:

6-2 SCHEMATIC DIAGRAM



REV	DESCRIPTION	DATE	APPROVED

FIRST USED ON:	LAST USED ON:	SCALE	1:1
INCHES UNLESS OTHERWISE SPECIFIED	MATERIAL:	SHEET	1 OF 2
DRAWN BY	DATE	SIZE	(CAGE CODE)
BOA	3-29-04	A	
CHECKED BY	RELEASED BY	DATE	
Altronic Research, Inc. Yellowville, Arkansas 72887, U.S.A.			PART NAME MODEL 6705-6775 WITH OPTIONAL DIFFERENTIAL SWITCH, REMOTE ACTUATION, & THERMAL INTERLOCK
PART NO. : 000-W6700-001B			REV 0

6-3 REPLACEMENT PARTS LIST
MODEL 6710T/6715T

(CONSULT FACTORY)

SPECIFICATIONS

Model 6710T/6715T

Impedance----- > 50 ohms nominal

VSWR @ DC to 110MHz ----- > 1.10:1 max.

VSWR @ 110 to 220MHz ----- > 1.15:1 max.

Connectors:

Model 6710T/6715TE3 ----- > 3-1/8" EIA swivel flange

Model 6710T/6715TF3 ----- > 3-1/8" Unflanged flush

Model 6710T/6715TR3 ----- > 3-1/8" Unflanged recessed

Power Rating @ Sea Level----- > 10/15 KW

Frequency Range----- > DC to 220 MHz

Cooling Method ----- > Forced Air Ductable

Ambient Temperature ----- > -30°C to 43°C

Fan Assembly ----- > 1/6 hp direct-drive centrifugal

AC Power Requirements:

115 VAC, 60 Hz, 3 Amp., 1 Phase

230 VAC, 50/60 Hz, 3 Amp., 1 Phase

Finish----- > Beige Splatter

Serial No. _____ Frequency _____ Resistance _____ dBA@3ft < 80dBA

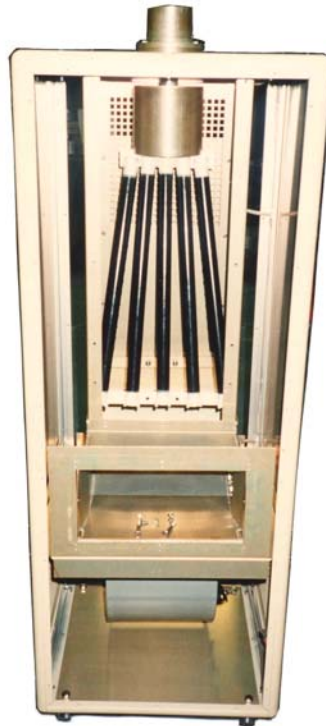
Model _____ Inspected by _____ Date _____

☆☆☆☆☆☆☆☆☆☆☆☆☆☆☆☆☆☆☆☆☆☆☆☆☆☆☆☆☆☆☆☆☆☆

CRAFTED WITH PRIDE IN ARKANSAS, U.S.A.



**Model 6710 / 6715
Access Panels Displaced**



Resistor Assembly